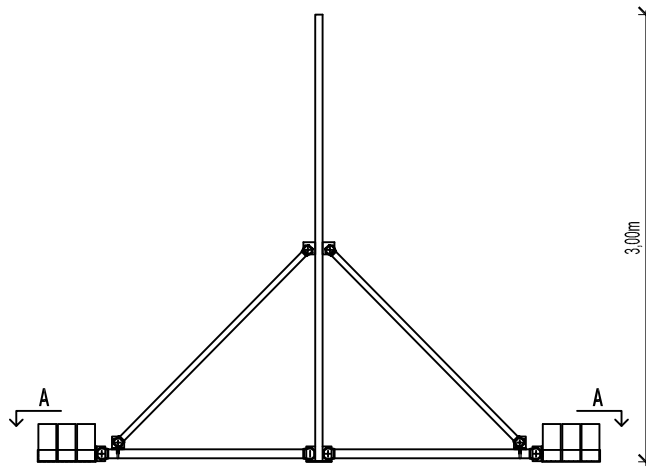
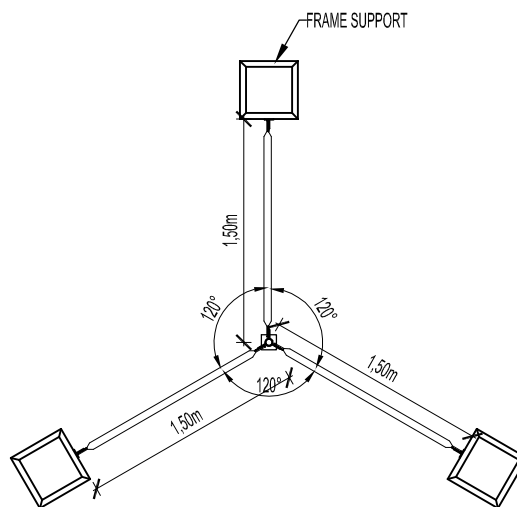




SIDE VIEW



VIEW A-A



NOTES :

1. Typical construction of the mast ballast H3
2. Aluminum alloy: EN AW-6005A T6
3. Connections: fillet welded with TIG (GTAW) argon method by the requirements of ISO 3834-2
4. Implementation class structure by the requirements of PN-EN-1090-3: EXC3
5. Characteristic wind speed: $V_k=22\text{m/s}$
6. Terrain category: A
7. Reliability class: normal
8. Ice density: 700kg/m^3
9. Ice thickness: 2,0cm
10. Equipment total weight limit on the mast: 20kg
11. Mast weight (without ballast): 15kg

| | | | |
|--|------------------------------------|------------------------------|----------------------|
| Manufacturer: RETIS WWW.RETIS.PL WWW.MASZTY-RETIS.PL | | | |
| Investment: ALUMINIUM BALLAST MAST | | | |
| Drawing title: ALUMINIUM BALLAST MAST H3 | | | |
| Date: 04.2014 | Phase: typical project | Project No.: RETIS MB | Revision: ... |
| Industry: construction | Project No.: RETIS_KK_MB_H3 | | |