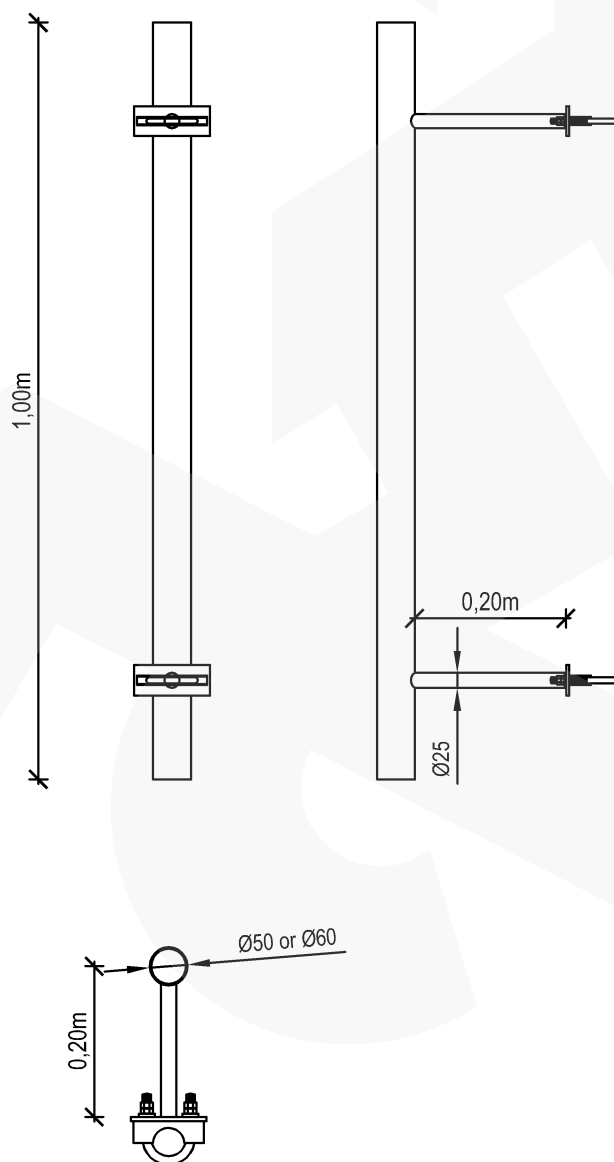




**RETIS**  
CONSTRUCTION

# ANTENNA SUPPORT WA1000 - H1,0 - FI50/60

SCALE 1:10



#### NOTES :

1. Antenna support WA1000 - H1,0 - FI50/60
2. Aluminum alloy: EN-AW 6005 T6
3. Connections: fillet welded by the requirements of ISO 3834-4
4. Mount to the mast shaft by U-bolt clamps

<b>Manufacturer:</b> RETIS WWW.RETIS.PL WWW.MASZTY-RETIS.PL			
<b>Investment:</b> SERIES OF ALUMINUM LATTICE TOWERS - TYPE 1000			
<b>Drawing title:</b> ANTENNA SUPPORT WA1000 - H1,0 - FI50/60			
<b>Date:</b> 02.2013	<b>Phase:</b> offer drawing	<b>Project no.:</b> RETIS W1000F	<b>Revision:</b> ...
<b>Industry:</b> construction	<b>Drawing no.:</b> RETIS_KK_WA1000_H1_FI50/60		