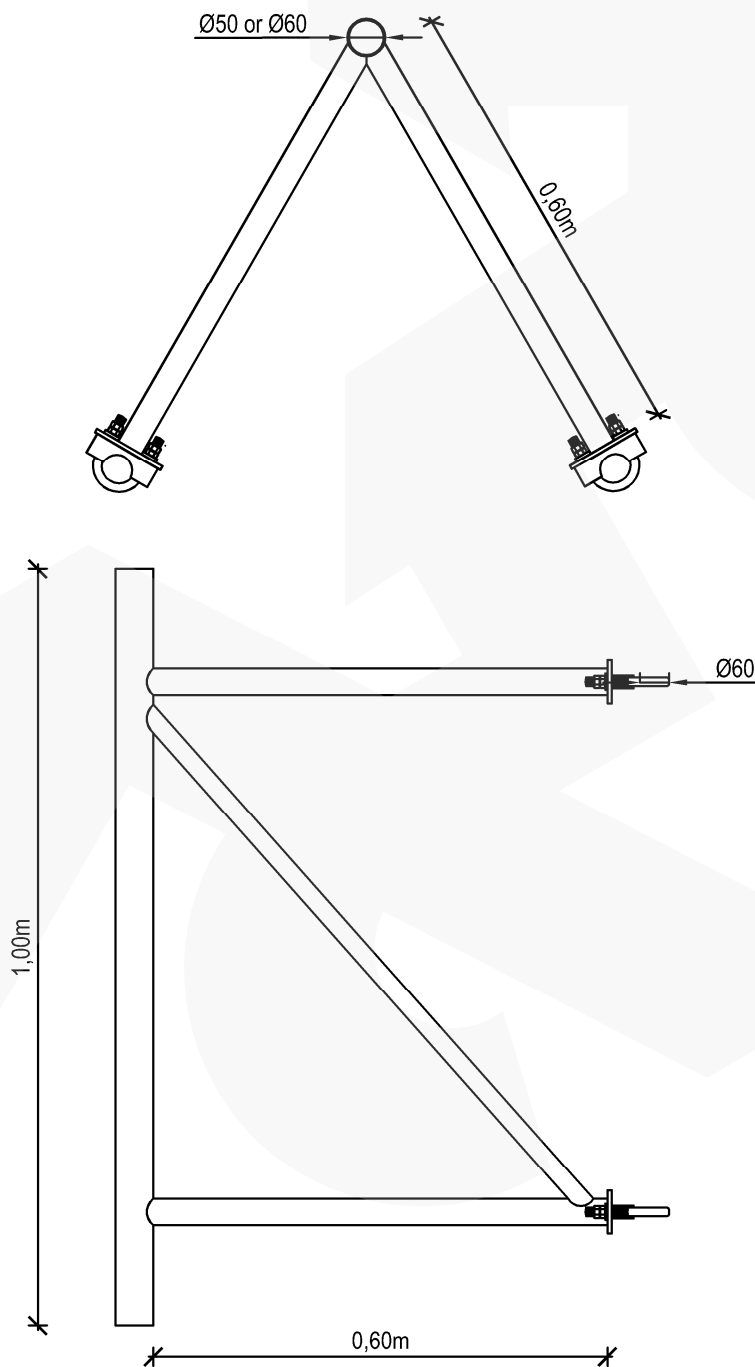




RETIS
CONSTRUCTION

RADIOLINK SUPPORT WR650 - H1,0 - FI50/60

SCALE 1:10



NOTES:

1. Radiolink support WR650 - H1,0 - FI50/60
2. Aluminum alloy: EN-AW 6005 T6
3. Connections: fillet welded by the requirements of ISO 3834-4
4. Mount to the mast shaft by U-bolt clamps

Manufacturer: RETIS WWW.RETIS.PL WWW.MASZTY-RETIS.PL			
Investment: SERIES OF ALUMINUM LATTICE TOWERS - TYPE 650			
Drawing title: RADIOLINK SUPPORT WA650 - H1,0 - FI50/60			
Date: 02.2013	Phase: offer drawing	Project no.: RETIS W650F	Revision: ...
Industry: construction	Drawing no.: RETIS_KK_WR650_H1_FI50_60		